



Chem 342 • Organic Chemistry II

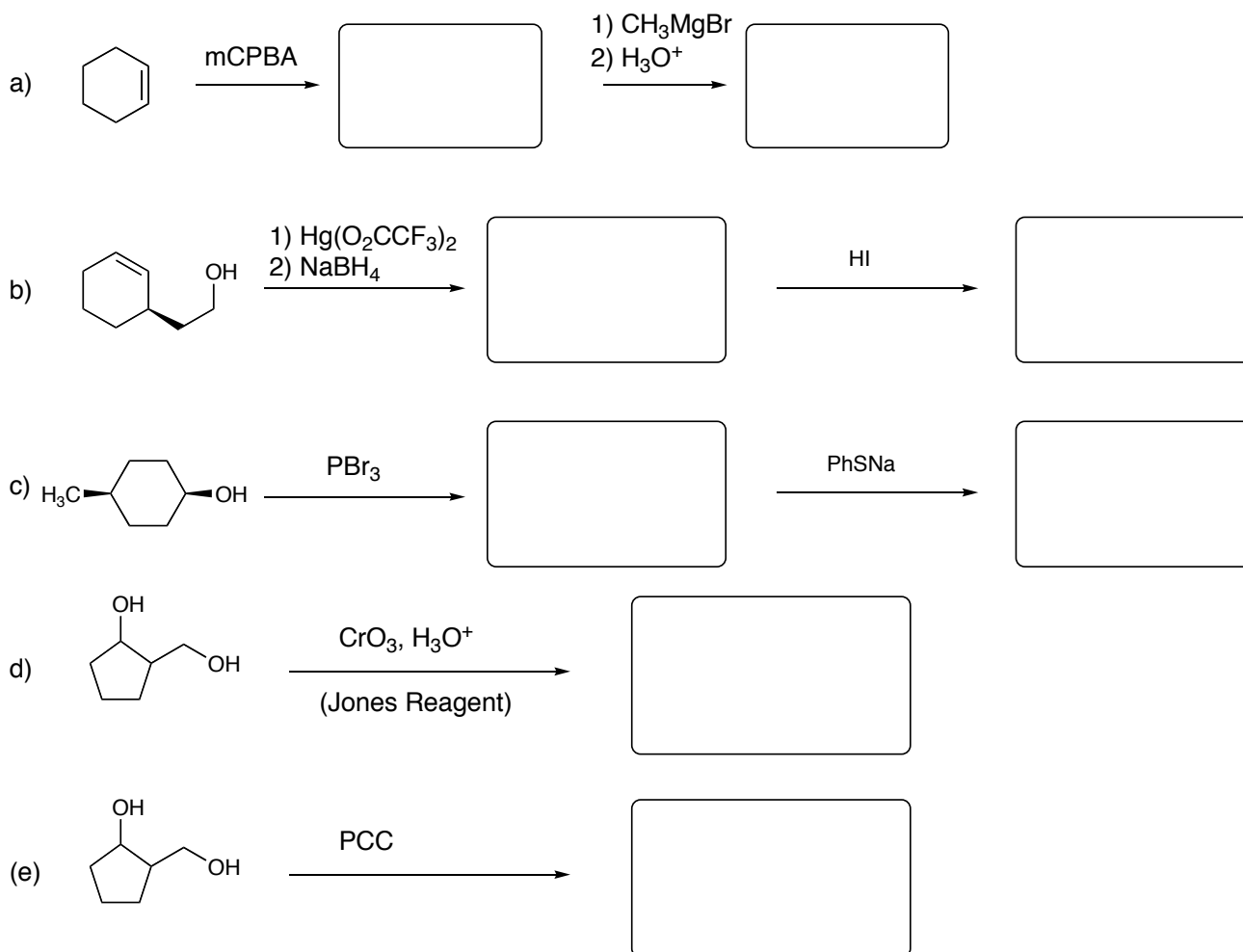
Suggested Problems for Chapter 18

Suggested problems from your text:

18.1, 18.3, 18.5, 18.6, 18.7, 18.9, 18.10, 18.12, 18.14, 18.17, 18.2, 18.25, 18.26, 18.27, 18.28, 18.29, 18.34, 18.35, 18.36, 18.41, 18.42, 18.43, 18.49, 18.51,

Additional Practice Problems:

Fill in the missing reagents or products in the following reaction scheme.



How would you carry out the following synthesis?

